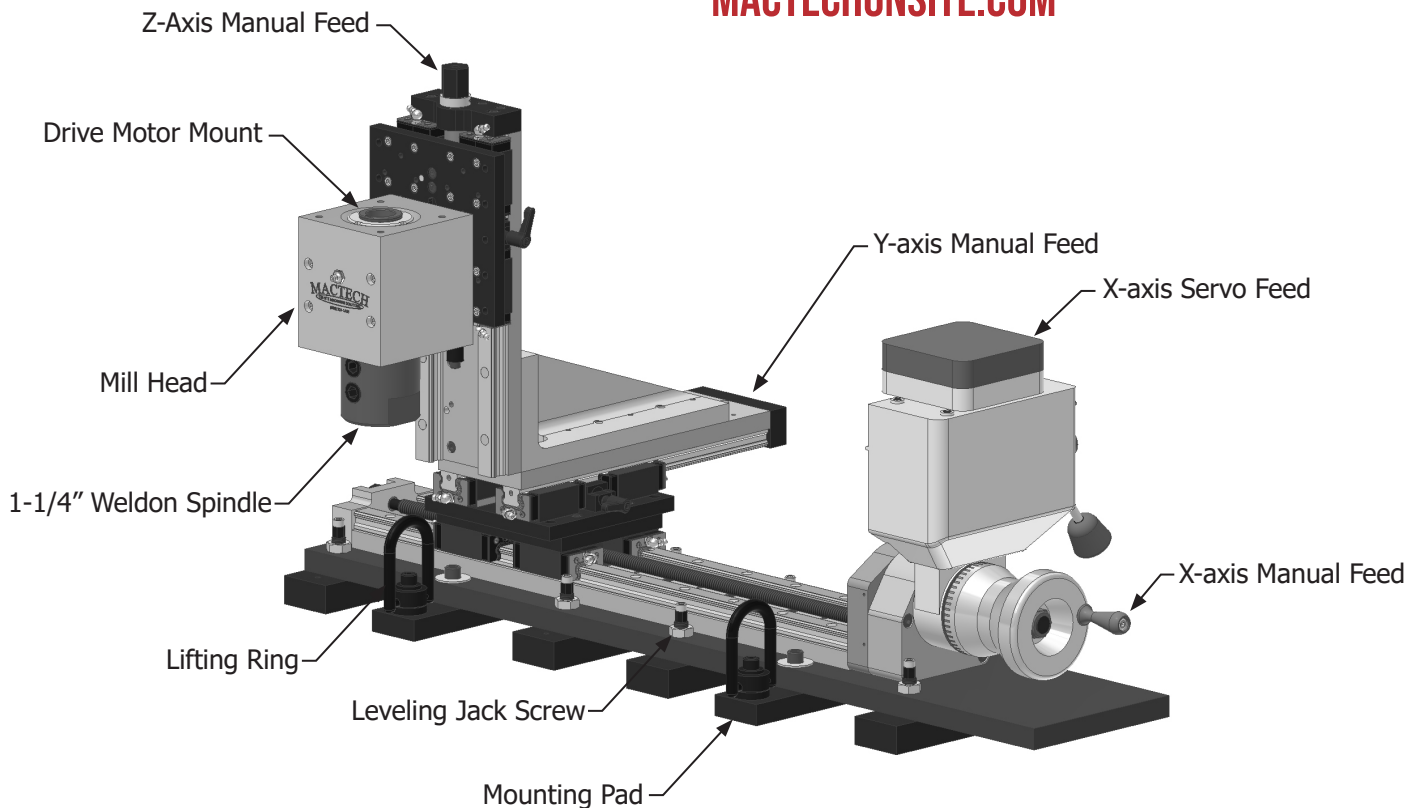


MACTECH

MT4 LRA 4" LINEAR RAIL PORTABLE MILL

MACTECHONSITE.COM



PRODUCT DESCRIPTION

The Mactech MT4 LRA Portable Milling Machine is a 3-axis, linear rail mill. It is capable of close tolerance milling, drilling, boring and many other on-site milling operations. It is ideal for large area repair work where dismantling is not possible or practical. The MT4 can be welded, clamped, bolted or magnetically attached directly onto the workpiece in any orientation. The Y-Z axis can be assembled on either side of the X axis, and the mill head be flipped over for overhead milling. The MT4 is available in three lengths: 24, 36, and 72 inches.

FEATURES

- **PRECISE 3-AXIS MILLING, DRILLING, AND BORING**
- **VERSATILE AND PORTABLE**
- **SMALL FOOTPRINT FOR RESTRICTED SPACES**
- **VARIETY OF MOUNTING OPTIONS**
- **IN-SITU PRECISION MACHINING**
- **WIDE RANGE OF TOOLING OPTIONS**
- **ELECTRIC, HYDRAULIC OR AIR DRIVE**

MACTECH INC.
4079 PEPIN AVE UNIT 4
RED WING MN 55066
800-328-1488
INFO@MACTECHONSITE.COM

MACTECH OFFSHORE
302 IDA ROAD
BROUSSARD LA 70518
337-839-2793
INFO@MACTECHOFFSHORE.COM

MACTECH KENTUCKY
3880 INDUSTRIAL DRIVE
PADUCAH KY 42001
270-442-1559
INFO@MACTECHONSITE.COM

MACTECH WISCONSIN
2515 CLEVELAND AVE
MARINETTE WI 54143
800-328-1488
INFO@MACTECHONSITE.COM

MACTECH INTERNATIONAL
CONTACT US FROM ANYWHERE
AROUND THE WORLD
337-839-2793
INFO@MACTECHOFFSHORE.COM

WORK HARD

WORK SAFE

WE BEFORE ME

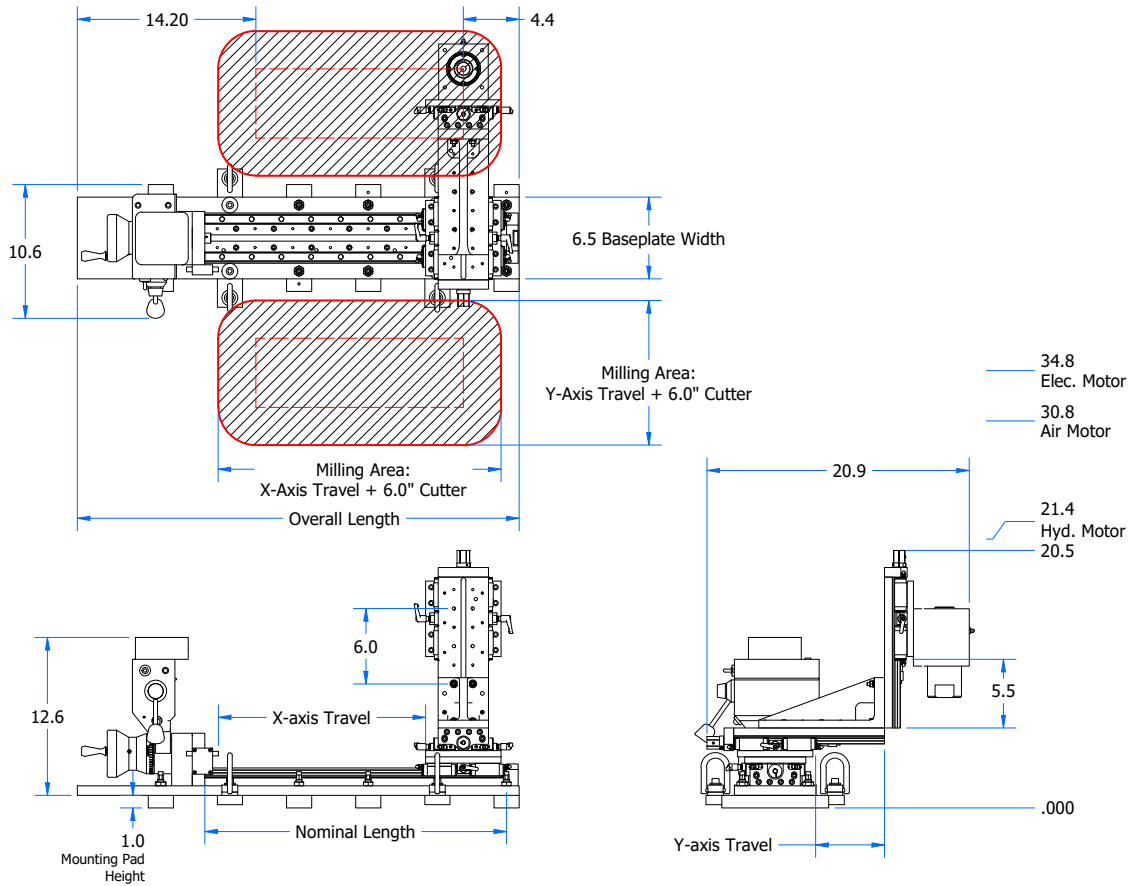
WELCOME CHALLENGES

WOW THEM

MACTECH

MT4 LRA 4" LINEAR RAIL PORTABLE MILL

MACTECHONSITE.COM



MODEL	X-AXIS TRAVEL	BED LENGTH	Y-AXIS TRAVEL	OVERALL LENGTH	WEIGHT	PACKAGE NUMBER
MT4 LRA x 24	16.5" (420mm)	24" (610mm)	5.5" (140mm)	35.125" (892mm)	145lbs / 65kg	605-6903
MT4 LRA x 36	28.5" (724mm)	36" (914mm)	5.5" (140mm)	47.125" (1197mm)	190lbs / 86kg	605-6878
MT4 LRA x 72	64.5" (1628mm)	72" (1829mm)	5.5" (140mm)	83.125" (2111mm)	280lbs / 127kg	605-6876

SPECIFICATIONS

Tool Holder: 1-1/4" Weldon Spindle.
Other tool holders and adapters are available.

X-axis Feed: 20" per minute, electric servo feed

Y-axis Feed: Manual feed

Z-axis Feed: Manual feed

DRIVES

Air (with caddy), hydraulic (with 36" hoses), or electric drives (110v, 220v) are available.

Call Mactech to help you select the appropriate drive system for your application.

MACTECH INC.
4079 PEPIN AVE UNIT 4
RED WING MN 55066
800-328-1488
INFO@MACTECHONSITE.COM

MACTECH OFFSHORE
302 IDA ROAD
BROSSARD LA 70518
337-839-2793
INFO@MACTECHOFFSHORE.COM

MACTECH KENTUCKY
3880 INDUSTRIAL DRIVE
PADUCAH KY 42001
270-442-1559
INFO@MACTECHONSITE.COM

MACTECH WISCONSIN
2515 CLEVELAND AVE
MARINETTE WI 54143
800-328-1488
INFO@MACTECHONSITE.COM

MACTECH INTERNATIONAL
CONTACT US FROM ANYWHERE
AROUND THE WORLD
337-839-2793
INFO@MACTECHOFFSHORE.COM

WORK HARD

WORK SAFE

WE BEFORE ME

WELCOME CHALLENGES

WOW THEM